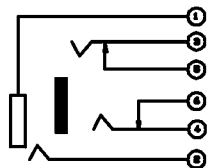
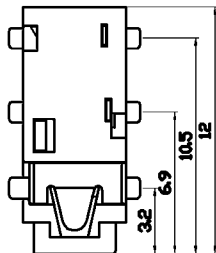
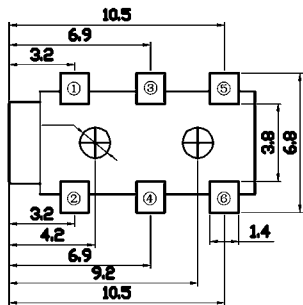
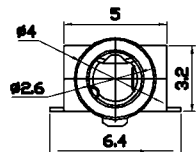
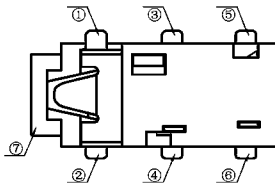
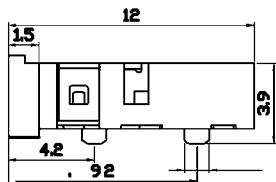


P. C. B LAYOUT TOP VIEW



CIRCUIT DIAGRAM



MODEL NO.: ST-286-01