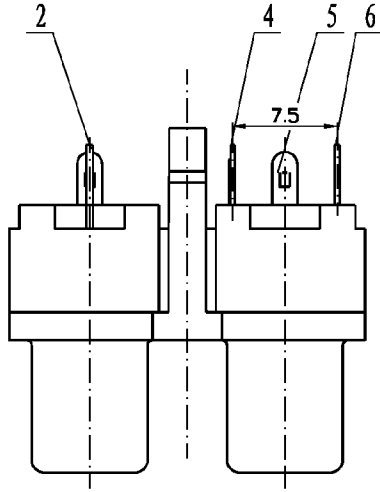
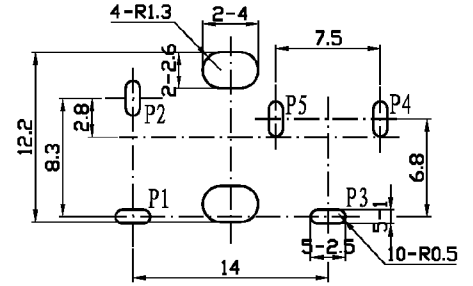
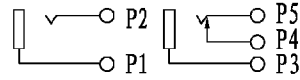


Dimensions of PC board holes (Commend)

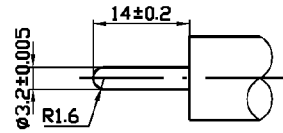
Bottom View (t=1.6mm)



Circuit Diagram



Gauge Plug



Model No. RS-251A1