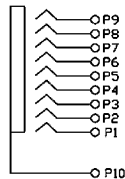
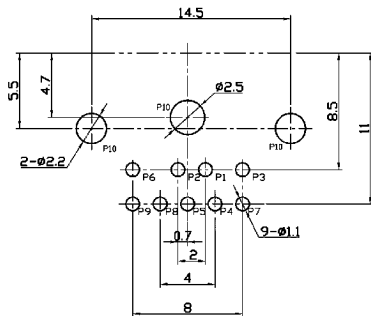
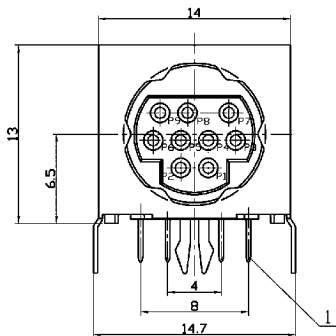


Circuit Diagram



Dimensions of PC board holes (Commend)

Bottom View (t=1.6mm) ◉



Model No. MD-104D-9P